



Cambridge International AS & A Level

CANDIDATE NAME

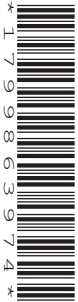


CENTRE NUMBER

--	--	--	--	--

CANDIDATE NUMBER

--	--	--	--



DESIGN & TECHNOLOGY

9705/32

Paper 3 A Level Written Paper

May/June 2025

2 hours 30 minutes

You must answer on the question paper.

You will need: Standard drawing equipment
Coloured pencils
Calculator

INSTRUCTIONS

- Answer **all** questions.
- Use a black or dark blue pen.
- Write your name, centre number and candidate number in the boxes at the top of the page.
- Write your answer to each question in the space provided.
- Do **not** use an erasable pen or correction fluid.
- Do **not** write on any bar codes.
- You may use a pencil or coloured pencils for any sketches, drawings or rough working.
- You may use 30°/60° and 45° set squares, a pencil compass and templates/guides if appropriate for any sketches or drawings.

INFORMATION

- The total mark for this paper is 100.
- The number of marks for each question or part question is shown in brackets [].
- All dimensions are in millimetres, unless otherwise stated.

This document has **16** pages. Any blank pages are indicated.





Answer all questions.

1 Fig. 1.1 shows details of a tile holder for a game.

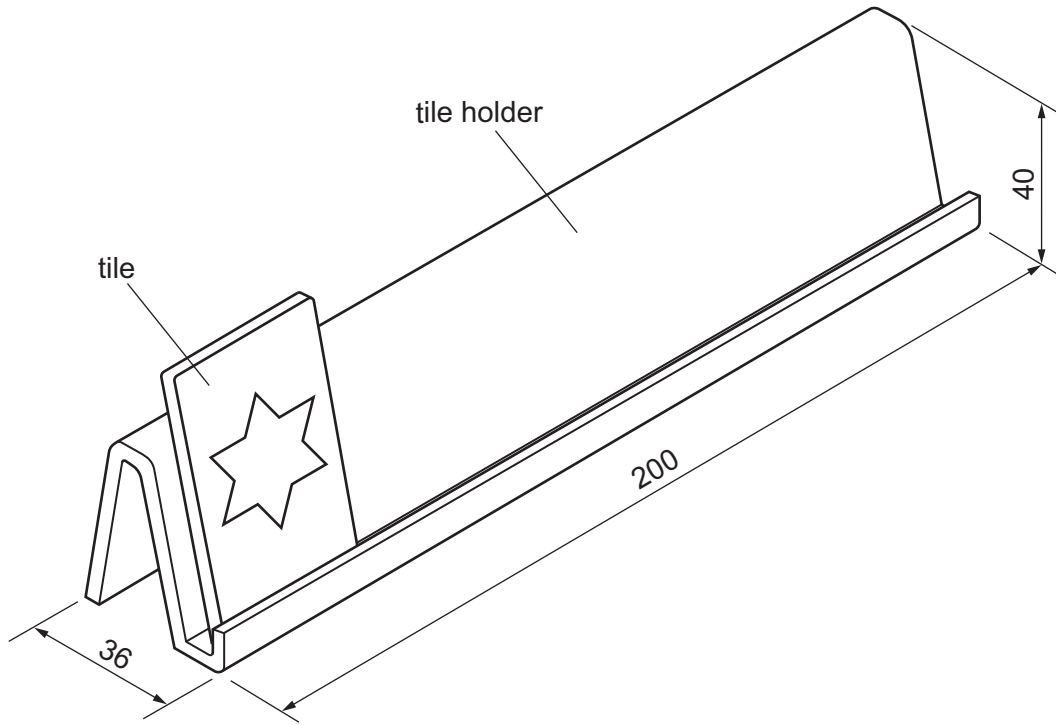


Fig. 1.1

(a) State a suitable material for the tile holder shown in Fig. 1.1.

Give **two** reasons to justify your choice.

Material

Reason 1

.....

Reason 2

.....

[3]

DO NOT WRITE IN THIS MARGIN

DO NOT WRITE IN THIS MARGIN

DO NOT WRITE IN THIS MARGIN

DO NOT WRITE IN THIS MARGIN

DO NOT WRITE IN THIS MARGIN





(b) Use sketches and notes to show how you would make **one** tile holder as shown in Fig. 1.1 in a school workshop.

In your response, you should give details of any tools and equipment you would use.

DO NOT WRITE IN THIS MARGIN





(c) Use sketches and notes to describe the changes which may be necessary to the design, manufacturing method and the material selected to produce 10 000 identical tile holders.

DO NOT WRITE IN THIS MARGIN

DO NOT WRITE IN THIS MARGIN

DO NOT WRITE IN THIS MARGIN

DO NOT WRITE IN THIS MARGIN

DO NOT WRITE IN THIS MARGIN





2 (a) Explain **one** benefit of using 3D printing when modelling ideas.

.....

.....

.....

..... [2]

(b) Describe **two** ways in which dimensional checks are used when manufacturing products.

1

.....

.....

.....

.....

.....

.....

.....

.....

..... [4]

(c) Use sketches and notes to show the process of press forming.



DO NOT WRITE IN THIS MARGIN



3 (a) Explain what is meant by the term demographics with reference to business and commercial practices.

.....
.....
.....
.....
.....
.....
..... [3]

(b) Explain **one** disadvantage to a company of using discounting as a product extension strategy.

.....
.....
.....
.....
.....
..... [3]

(c) Explain **two** ways, other than discounting, a company can create more demand for a product.

1

.....
.....
.....

2

.....
.....
.....

[4]

DO NOT WRITE IN THIS MARGIN

DO NOT WRITE IN THIS MARGIN

DO NOT WRITE IN THIS MARGIN

DO NOT WRITE IN THIS MARGIN

DO NOT WRITE IN THIS MARGIN





5 (a) Describe **one** process that can be used to enhance the property of a metal.

.....
.....
.....
..... [2]

(b) Explain **one** disadvantage of applying a finish to a material.

.....
.....
.....
..... [2]

(c) Discuss the importance to manufacturers and consumers of using standard components when manufacturing products.

.....
.....
.....
.....
.....
.....
.....
.....
.....
.....
.....
.....
.....
.....
.....
.....
.....
..... [6]

DO NOT WRITE IN THIS MARGIN





6 A games company wants to develop a storage unit for gaming equipment.

The design specification states that the storage unit must:

- hold a pair of headphones, a controller and up to four games
- be assembled by the consumer
- be manufactured as a batch of 1000.

Details of items to be stored in the unit are given in Fig. 6.1.

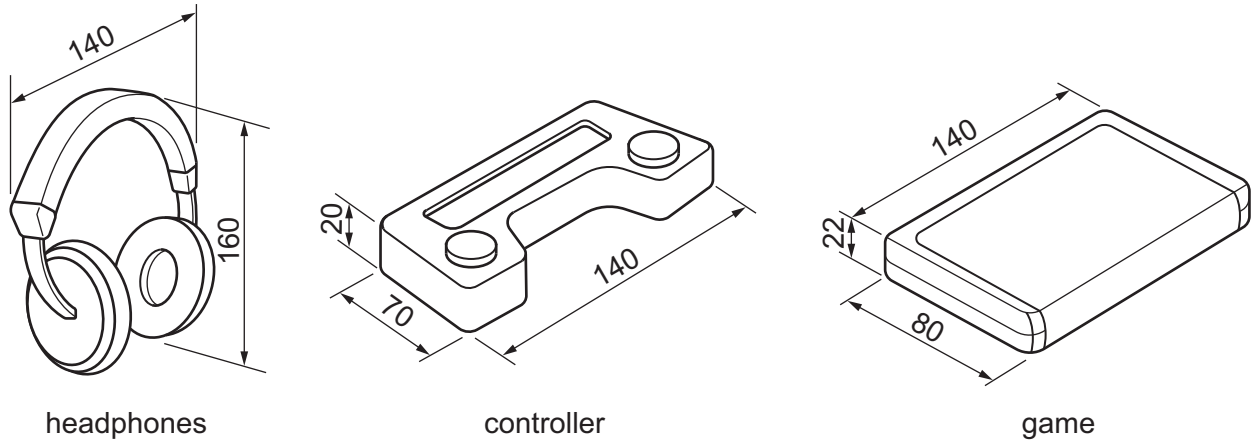


Fig. 6.1

Question 6 continues on Page 10.



DO NOT WRITE IN THIS MARGIN



(a) Use sketches and notes to produce **two** different innovative ideas for the storage unit for gaming equipment.

(i) Idea 1

DO NOT WRITE IN THIS MARGIN

DO NOT WRITE IN THIS MARGIN

DO NOT WRITE IN THIS MARGIN

DO NOT WRITE IN THIS MARGIN

DO NOT WRITE IN THIS MARGIN



* 00080000011 *



(ii) Idea 2

DO NOT WRITE IN THIS MARGIN





- (c) Use sketches and notes to develop your chosen idea to show details of functions, materials, construction and finishes.

DO NOT WRITE IN THIS MARGIN





(d) Use a method of your own choice to draw the complete design solution.

Include key details and dimensions.

DO NOT WRITE IN THIS MARGIN

DO NOT WRITE IN THIS MARGIN

DO NOT WRITE IN THIS MARGIN

DO NOT WRITE IN THIS MARGIN

DO NOT WRITE IN THIS MARGIN





Permission to reproduce items where third-party owned material protected by copyright is included has been sought and cleared where possible. Every reasonable effort has been made by the publisher (UCLES) to trace copyright holders, but if any items requiring clearance have unwittingly been included, the publisher will be pleased to make amends at the earliest possible opportunity.

To avoid the issue of disclosure of answer-related information to candidates, all copyright acknowledgements are reproduced online in the Cambridge Assessment International Education Copyright Acknowledgements Booklet. This is produced for each series of examinations and is freely available to download at www.cambridgeinternational.org after the live examination series.

Cambridge Assessment International Education is part of Cambridge Assessment. Cambridge Assessment is the brand name of the University of Cambridge Local Examinations Syndicate (UCLES), which is a department of the University of Cambridge.

